

RCE Technical Data Electric Forklift Truck

RCE 25

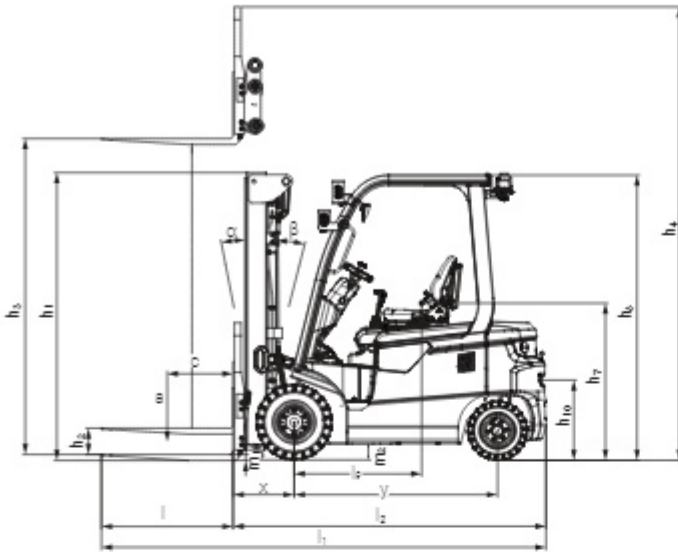
RCE 30

RCE 35

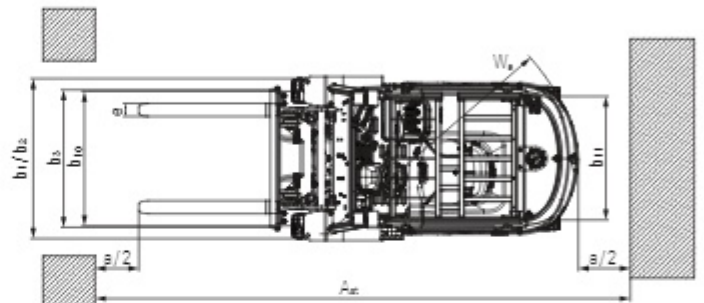




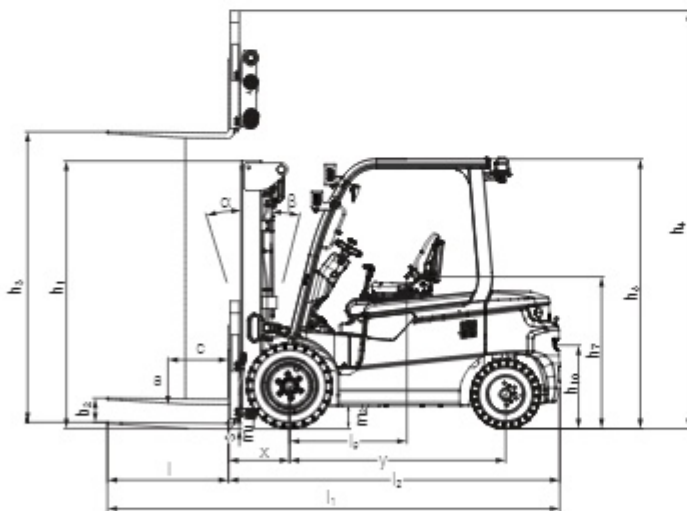
				STILL	STILL	STILL		
Features	1.1	Manufacturer						
	1.2	Manufacturer's type designation		RCE 25	RCE 30	RCE 35		
	1.2.1	Manufacturer type number		6442	6450	6452		
	1.3	Drive		Electric	Electric	Electric		
	1.4	Operation		Seated	Seated	Seated		
	1.5	Load capacity/load	Q	kg	2500	3000	3500	
	1.6	Load centre distance	c	mm	500	500	500	
	1.8	Load distance	x	mm	464	504	509	
	1.9	Wheel base	y	mm	1545	1785	1785	
Weights	2.1	Service weight (incl. battery)		kg	4202	4970	5430	
	2.2	Axle load, laden	front/rear	kg	6890/812	7055/855	7899/1031	
	2.3	Axle load, unladen	front/rear	kg	1792/2410	2416/2564	2395/3035	
Wheels	3.1	Tyres			Superelastic	Superelastic	Superelastic	
	3.2	Tyre size	front		23X9-10	28X9-15	28X9-15	
	3.3	Tyre size	rear		18x7-8	6.5-10	6.5-10	
	3.5	Number of wheels (x = driven)	front/rear		2X/2	2X/2	2X/2	
	3.6	Track width	front	b ₁₀	mm	1040	1030	1030
	3.7	Track width	rear	b ₁₁	mm	950	953	953
Back dimensions	4.1	Tilt of mast	front/rear	α/β	°	6/10	6/10	6/10
	4.2	Height of mast	mast retracted	h ₁	mm	2068	2137	2137
	4.3	Free lift		h ₂	mm	150	150	150
	4.4	Lift		h ₃	mm	3000	3000	3000
	4.5	Height of mast	mast extended	h ₄	mm	3995	4045	4045
	4.7	Height to top of overhead guard (cab)		h ₄	mm	2150	2230	2230
	4.8	Seat height rel. to SIP		h ₇	mm	1167	1238	1238
	4.12	Coupling height		h ₁₀	mm	660	705	705
	4.19	Total length		l ₁	mm	3420	3667	3738
	4.20	Length including fork backs		l ₂	mm	2420	2667	2738
	4.21	Total width		b ₁ /b ₂	mm	1265	1268	1268
	4.22	Fork dimensions ISO 2331		s/e/l	mm	45/100/1000	45/122/1000	50/150/1000
	4.23	Fork carriage ISO 2338, class/form A, B				2A	3A	3A
	4.24	Fork carriage width		b ₅	mm	1040	1100	1100
	4.31	Ground clearance below mast, laden		m ₁	mm	102	141	137
	4.32	Ground clearance, centre of wheel base		m ₂	mm	120	168	165
	4.33	Working aisle width with 1000 x 1200 pallet crossways		A ₀₅	mm	3760	4039	4109
	4.34	Working aisle width with 800 x 1200 pallet lengthways		A ₀₆	mm	3960	4239	4309
	4.35	Turning radius		W ₄	mm	2096	2330	2400
4.36	Minimum pivot point distance		b ₁₃	mm	582	672	672	
Performance data	5.1	Driving speed	laden/unladen	km/h	15/15	15/15	15/15	
	5.2	Lifting speed	laden/unladen	m/s	0.28/0.45	0.40/0.44	0.37/0.44	
	5.3	Lowering speed	laden/unladen	m/s	0.43/0.47	0.40/0.44	0.37/0.44	
	5.5	Drawbar pull	laden/unladen	N	2710/3150	2630/3180	2500/3110	
	5.6	Max. drawbar pull	laden/unladen	N	11700/9500	14500/14000	14380/13900	
	5.7	Gradeability	laden/unladen	%	7.7/13.8	7.6/13.4	6.6/12.3	
	5.8	Max. gradeability	laden/unladen	%	18/20	18/20	16/20	
	5.9	Acceleration time 15 m		s	6.3/5.5	6.7/5.6	6.9/5.7	
	5.10	Service brake			Mechanical/hydraulic	Mechanical/hydraulic	Mechanical/hydraulic	
	Electric engine	6.1	Drive motor, output S3 60 min		kW	10.2	13.6	13.6
6.2		Lifting motor, rating at S3 15%		kW	11.5	21	21	
6.4		Battery voltage	U	V	80	80	80	
6.4.1		Battery capacity	K ₅	Ah	360	500	500	
6.5		Battery weight		kg	990	1470	1470	
6.6		Energy consumption as per DIN EN 16797		kWh/h	5.5	6	6.5	
6.7		Handling capacity		t/h	164	205	230	
6.8		Energy consumption at handling capacity		t/kWh	27.5	33.4	38.5	
Miscellaneous	10.1	Operating pressure for attachments		bar	170	185	200	
	10.2	Oil volume for attachments		l/min	24	30	30	
	10.7	Sound pressure level L _{WA} (operator's position)		dB(A)	65	68	68	



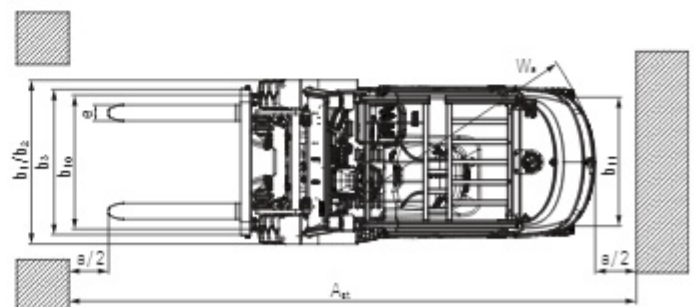
RCE 25 side view



RCE 25 top view



RCE 30-35 side view

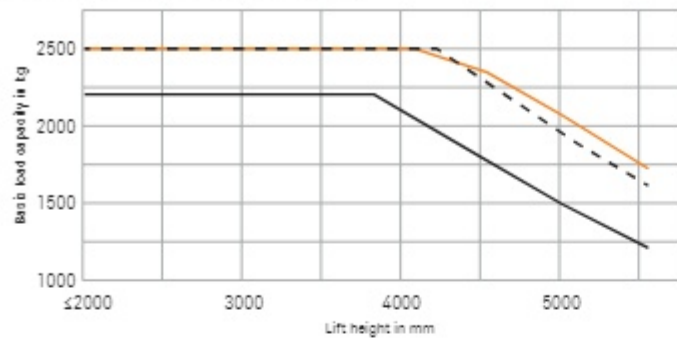


RCE 30-35 top view

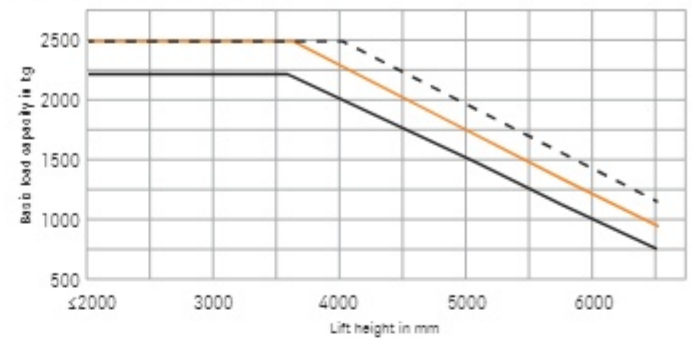
RCE Electric Forklift Truck

Basic Load Capacities

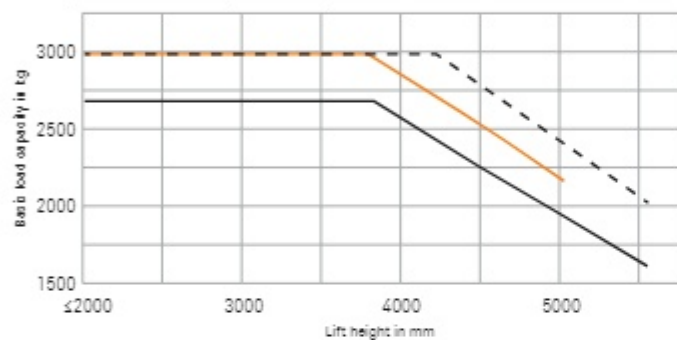
RCE 25
Telescopic/HiLo mast - superelastic tyres



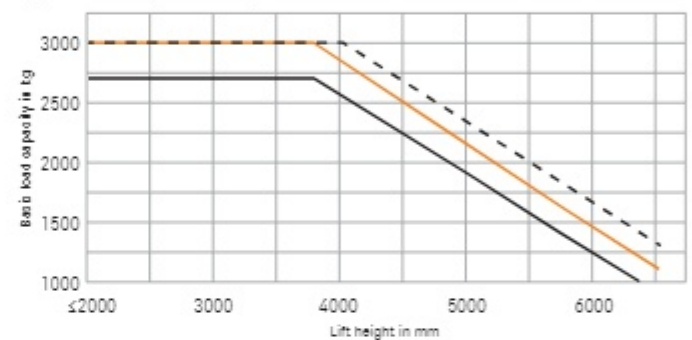
RCE 25
Triplex mast - superelastic tyres



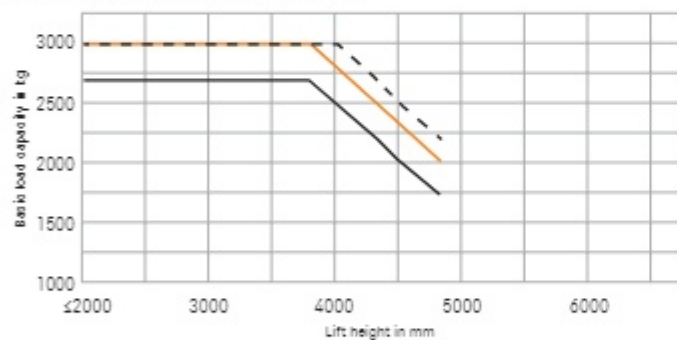
RCE 30
Telescopic/HiLo mast - superelastic tyres



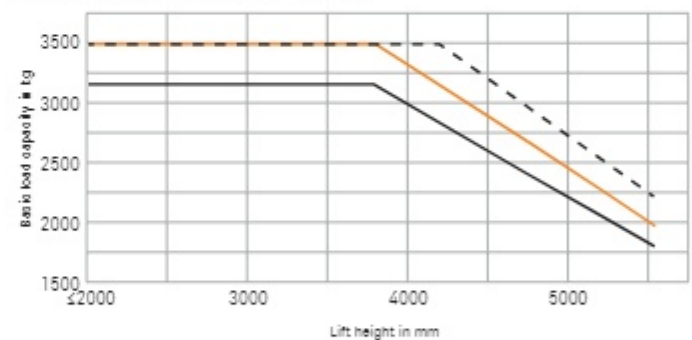
RCE 30
Triplex mast - superelastic tyres



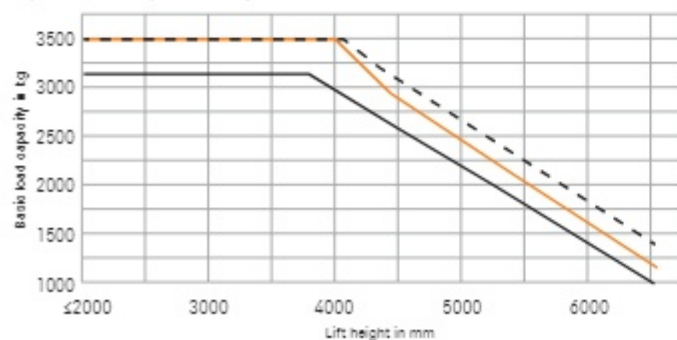
RCE 30
Triplex mast 4800 mm - superelastic tyres



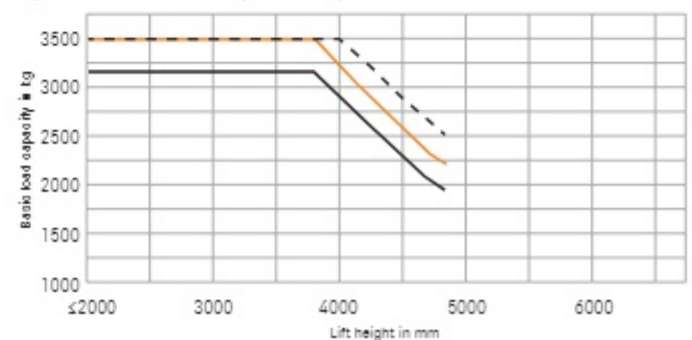
RCE 35
Telescopic/HiLo mast - superelastic tyres



RCE 35
Triplex mast - superelastic tyres



RCE 35
Triplex mast 4800 mm - superelastic tyres



— Standard fork carriage - - - Integrated side shifter — Fitted side shifter



			Telescopic mast								HiLo mast					Triplex mast										
			3000	3300	3500	4000	4500	5000	5500	3000	3300	3500	4000	4500	4100	4350	4650	4850	5000	5500	6000	6500				
RCE 25	Nominal lift	h_2	mm	3000	3300	3500	4000	4500	5000	5500	3000	3300	3500	4000	4500	4100	4350	4650	4850	5000	5500	6000	6500			
	Height	h_1	mm	2057	2207	2307	2607	2857	3107	3407	2036	2186	2286	2586	2836	1986	2086	2186	2286	2336	2586	2836	3036			
	Free lift	h_2	mm	150	150	150	150	150	150	150	990	1140	1240	1540	1790	1335	1435	1535	1635	1685	1935	2185	2385			
	Free lift with load backrest	h_2	mm													940	1040	1140	1240	1290	1540	1790	1990			
	Height, mast extended	h_4	mm	3639	3939	4139	4639	5139	5639	6139	3639	3939	4139	4639	5139	4739	4939	5289	5489	5639	6139	6639	7139			
	Height, mast extended, with load backrest	h_4	mm	4045	4345	4545	5045	5545	6045	6545	4045	4345	4545	5045	5545	5145	5395	5695	5895	6045	6545	7045	7545			
	Tilt angle forwards	α	°				6							6						6						
	Tilt angle backwards	β	°						6,5					6,5					6,5							
	Fork lock-in position centre-centre		mm				124/280/436/592/748/904								124/280/436/592/748/904											
	Fork lock-in position centre-centre (fitted side shifter)		mm				160/330/500/670/840								160/330/500/670/840											
	Tyres	front/rear					18x7-8								180/70-8											
	Track, rear		mm				950								950											
	Tyres, front						23X9-10								23X9-10											
	Track	front/rear	mm				1040								1040											
	Maximum width		mm				1265								1265											
RCE 30/RCE 35	Nominal lift	h_2	mm	3000	3250	3500	4000	4500	5000	5500	3000	3300	3500	4000	4500	4350	4500	4650	4800	5000	5500	6000	6500			
	Height	h_1	mm	2137	2237	2437	2737	2987	3237	3487	2102	2302	2402	2702	2952	2152	2202	2202	2202	2402	2652	2902	3102			
	Free lift	h_2	mm	150	150	150	150	150	150	150	1353	1553	1653	1953	2203	1403	1453	1453	1453	1653	1903	2153	2353			
	Free lift with load backrest	h_2	mm								1053	1253	1353	1653	1903	1103	1153	1153	1153	1353	1603	1853	2053			
	Height, mast extended	h_4	mm	3715	3965	4215	4715	5215	5715	6215	3752	4052	4242	4752	5252	5102	5252	5402	5552	5752	6252	6752	7252			
	Height, mast extended, with load backrest	h_4	mm	4045	4295	4545	5045	5545	6045	6545	4045	4345	4545	5045	5545	5395	5545	5695	5845	6045	6545	7045	7545			
	Tilt angle forwards	α	°				6							6						6						
	Tilt angle backwards	β	°						6					6					6							
	Fork lock-in position centre-centre		mm				144/348/552/756/960								144/348/552/756/960											
	Fork lock-in position centre-centre (fitted side shifter)		mm				160/350/540/730/920								160/350/540/730/920											
	Tyres	front/rear					6.5-10								6.5-10											
	Track, rear		mm				953								953											
	Tyres, front						28X9-15								28X9-15											
	Track	front/rear	mm				1030								1030											
	Maximum width		mm				1268								1268											



RCE Electric Forklift Truck Detailed Photos



Safe and efficient: the RCE 25 impresses with a good all-round visibility in all directions



Robust and powerful: the RCE 35 moves loads of up to 3,500 kg through the warehouse reliably and safely



Flexible and comfortable: the operator's seat and steering column are infinitely adjustable, so that the cab can be quickly and easily adjusted for operators of different heights



Good thinking: the elements of the STILL hydraulic operation are arranged so that they are convenient to use even when wearing work gloves



The RCE has a spacious footwell, which ensures an ergonomic seating position and allows for easy access



Everything at a glance: all relevant information is compiled in an easily legible format on the large colour display



Thanks to the compact STILL charging station, decentralised charging of the battery is also possible



Keep everything safely in sight: the slim triplex mast allows for optimum visibility and lifts loads to heights of up to 6.55 metres

RCE Electric Forklift Truck
Does its job. Period.



Simply easy

- Efficient, fatigue-free operation thanks to the ergonomically and intuitively designed operator's cab, where all control elements are in the field of vision and can be reached easily
- Ergonomic leg position and plenty of room to move in the spacious footwell
- Precise load handling and sensitive steering thanks to the intuitive single-pedal operation and the tried-and-tested STILL multi-lever hydraulics operation
- Unobstructed visibility for efficiency and safety: large windows on all sides and narrow rear overhead guard bars make it possible to keep an eye on everything from the operator's seat
- High level of handling performance and safety thanks to the large colour display, which clearly displays important information such as driving direction, battery level and driving programme
- Comfortable in every direction: the rear grab handle with integrated horn button ensures optimum safety and an ergonomic posture even when reversing

Simply powerful

- Efficiency in the warehouse: the RCE 25/35 can lift up to 3.5 tonnes with a load centre of 500 mm and particularly economical energy consumption
- Impressive goods handling thanks to powerful, low maintenance motors, a lifting height of up to 6.55 metres, as well as a maximum driving speed of 15 km/h - all with excellent manoeuvrability
- Powerful and efficient even in tough environments thanks to front-wheel drive and encapsulated, maintenance-free 80 V AC drive motor
- Robust, long-lasting and low-maintenance: tough materials are used for exposed components (steel instead of plastic), and there are additional covers for sensitive elements such as lights or lamps
- Also ideally suited to outdoor use thanks to high ground clearance and an optional closed operator's cab for reliable protection against harsh weather conditions

Simply safe

- Safe load handling thanks to bend-proof and torsion-resistant mast profiles
- High stability due to the truck's low centre of gravity
- Safe driving with the optional driver assistance function Curve Speed Control
- Reliable roll-away protection due to the mechanical, foot-activated parking brake
- Comfortable getting on and off thanks to the grab handle and non-slip step edges
- See and be seen: the RCE can optionally be equipped with further safety features, including panoramic rear-view mirrors, glass roof, sun visor or Safety Light

Simply flexible

- Individual adjustment of the workplace thanks to three spacious storage areas and an infinitely adjustable steering column
- Driver comfort and ergonomic working: the workstation can be flexibly adjusted to different operating conditions
- Safe and situational load handling with the sensitive multi-lever hydraulics operation

Simply connected

- Fast service analysis and parametrisation of settings thanks to CAN bus interface



RCE Electric Forklift Truck

Does its job. Period.

Simply good: ideal for moderate intensity requirements- moves up to 3.5 tonnes to heights of up to 6.55 metres

The way to work: intuitive and easy to operate thanks to an ergonomic seat, spacious footwell and 4.3" display

Safety STILL style: a high safety standard and good all-round visibility ensure optimum operator safety and less damage to goods

Whenever you need to get a job done, the new RCE electric forklift truck is there when you need it. Occasional transport and stacking tasks either indoors or outdoors are just its thing. This forklift truck has everything that makes a solid helper: power, robustness, efficiency. With its high-performance AC motor, any task is completed swiftly. Good all-round visibility allows you to transport your goods easily and

safely - and, if you wish, with automatically adjusted cornering speed, which further increases safety during operation. Even purchasing it is easy for you: The RCE is available at short notice, can be ordered online and is available with three pre-configured equipment packages. All of this at an attractive price with the quality and service from STILL. So, get your hands on it.



Equipment Variants



	RCE 25	RCE 30/35
	●	●
Operator's cab	○	○
Weather-protected or full cab	○	○
Tinted front windscreen, rear and roof windows made of either green-tinted or Makrolon laminated safety glass, plus windscreen wiper and wash system	○	○
Built-in storage and cup holder	●	●
Splash-proof operating unit featuring display, function buttons and menu navigation	●	●
MSG 65 Grammer seat with leatherette cover	●	●
Seat with textile cover, height-adjustable back extension	○	○
Grab handle on front of protective roof	●	●
Grab handle on back of protective roof with horn	○	○
High-performance 1000 W electric heating incl. defrosting blaster	○	○
Mast	○	○
Telescopic or triplex free view mast	○	○
Load backrest	○	○
Fork wear protection	○	○
Tires	●	●
Superelastic, single tyres, SIT system	○	○
Superelastic, natural coloured, single tyres, SIT system	○	○
Hydraulics	●	●
Multi-lever operation	●	●
Multi-lever operation with clamp release	●	●
Drive	●	●
Maintenance-free drives for driving, steering and lifting, components enclosed to protect against dust and moisture	●	●
Brake	●	●
Ergonomic, foot-operated parking brake	●	●
Energy recovery when braking	●	●
Low centre of gravity and steering axle with high self-aligning bearing for optimum safety	●	●
Safety	○	○
Headlights and LED lighting performance	○	○
Speed limiter can be adjusted by service	○	○
STILL Safety Light warning device	○	○
Curve Speed Control	●	●
Panoramic mirror	○	○
Intelligent seat belt control	●	●
Safety Zone Light: warning light bars to the left and right of the truck	○	○

● Standard ○ Option — Not available

STILL GmbH
Berzeliusstr. 10
22113 Hamburg
Germany

Tel.: +49 40 73 39 20 00

Fax: +49 40 73 39 20 01

info@still.de

For further information please visit
www.still.eu

STILL is certified in the following areas: Quality management, occupational safety, environmental protection and energy management.

