

Impression

Systems & Engineers Pvt. Ltd.

Imensys

Your Partner in Automation

About Us



Impression Systems & Engineers Pvt Ltd. is a company based in Pune, founded in the year 2005 by a group of technocrats with the aim of being a leading developer, manufacturer and supplier of material handling, storage, logistics and assembly line automation systems with the focus of not compromising in terms of quality, performance and reliability of the products developed by us..

Imensys

Your Partner in Automation

ISO CERTIFIED COMPANY

QUALITY MANAGEMENT SYSTEM

Certificate of Registration



This is to Certify That The Quality Management System of

IMPRESSION SYSTEMS & ENGINEERS PVT. LTD.

GAT NO. 357/68/69, WAGHJAI NAGAR, KHARABWADI, CHAKAN, PUNE - 410105, MAHARASHTRA, INDIA.

has been assessed and found to conform to the requirements of

ISO 9001:2015

for the following scope :

DESIGN, DEVELOPMENT, MANUFACTURING, SUPPLY, INSTALLATION, COMMISSIONING AND SERVICES FOR MATERIAL HANDLING AUTOMATION, STORAGE AUTOMATION, ROBOTICS AUTOMATION FOR INDUSTRIAL APPLICATIONS.

Certificate No	21DQIA57	Issuance Date	: 27/10/2021
Initial Registration Date	: 27/10/2021		
Date of Expiry*	: 26/10/2024		
1st Surve. Due	: 27/09/2022	2nd Surve. Due	: 27/09/2023

DIRECTOR

ROHS Certification Pvt. Ltd.

B-1, An Flats, Sector 2, Kirti, Gurgaon, Haryana, India, PIN-122002
e-mail: info@rohs-certification.com | website: www.rohs-certification.com
The Registration is not a Product Quality Certificate. *Subject to successful completion of surveillance audits. Visit for verification at www.rohs-certification.com
Certificate is the property of ROHS and return when demanded.



ENVIRONMENTAL MANAGEMENT SYSTEM

Certificate of Registration



This is to Certify That The Environmental Management System of

IMPRESSION SYSTEMS & ENGINEERS PVT. LTD.

GAT NO. 357/68/69, WAGHJAI NAGAR, KHARABWADI, CHAKAN, PUNE - 410105, MAHARASHTRA, INDIA.

has been assessed and found to conform to the requirements of

ISO 14001:2015

for the following scope :

DESIGN, DEVELOPMENT, MANUFACTURING, SUPPLY, INSTALLATION, COMMISSIONING AND SERVICES FOR MATERIAL HANDLING AUTOMATION, STORAGE AUTOMATION, ROBOTICS AUTOMATION FOR INDUSTRIAL APPLICATIONS.

Certificate No	21DEIC52	Issuance Date	: 27/10/2021
Initial Registration Date	: 27/10/2021		
Date of Expiry*	: 26/10/2024		
1st Surve. Due	: 27/09/2022	2nd Surve. Due	: 27/09/2023

DIRECTOR

ROHS Certification Pvt. Ltd.

B-1, An Flats, Sector 2, Kirti, Gurgaon, Haryana, India, PIN-122002
e-mail: info@rohs-certification.com | website: www.rohs-certification.com
The Registration is not a Product Quality Certificate. *Subject to successful completion of surveillance audits. Visit for verification at www.rohs-certification.com
Certificate is the property of ROHS and return when demanded.



OCCUPATIONAL HEALTH & SAFETY MANAGEMENT SYSTEM

Certificate of Registration



This is to Certify That
The Occupational Health & Safety Management System of

IMPRESSION SYSTEMS & ENGINEERS PVT. LTD.

GAT NO. 357/68/69, WAGHJAI NAGAR, KHARABWADI, CHAKAN, PUNE - 410105, MAHARASHTRA, INDIA.

has been assessed and found to conform to the requirements of

ISO 45001:2018

for the following scope :

DESIGN, DEVELOPMENT, MANUFACTURING, SUPPLY, INSTALLATION, COMMISSIONING AND SERVICES FOR MATERIAL HANDLING AUTOMATION, STORAGE AUTOMATION, ROBOTICS AUTOMATION FOR INDUSTRIAL APPLICATIONS.

Certificate No	21DOIQ77	Issuance Date	: 27/10/2021
Initial Registration Date	: 27/10/2021		
Date of Expiry*	: 26/10/2024		
1st Surve. Due	: 27/09/2022	2nd Surve. Due	: 27/09/2023

DIRECTOR

ROHS Certification Pvt. Ltd.

B-1, An Flats, Sector 2, Kirti, Gurgaon, Haryana, India, PIN-122002
e-mail: info@rohs-certification.com | website: www.rohs-certification.com
The Registration is not a Product Quality Certificate. *Subject to successful completion of surveillance audits. Visit for verification at www.rohs-certification.com
Certificate is the property of ROHS and return when demanded.



Imensys

Your Partner in Automation

Client List



Imensys

Your Partner in Automation

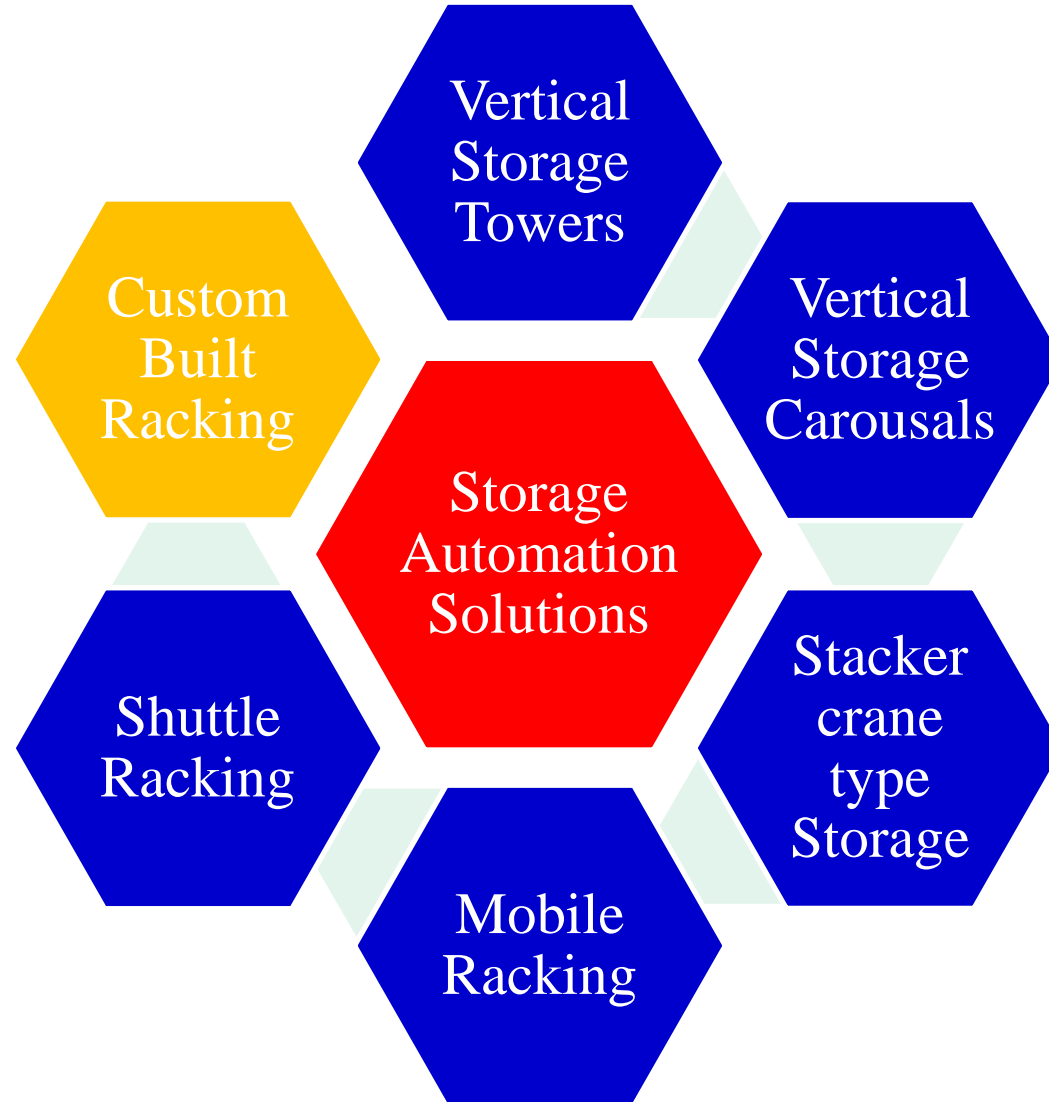
Resources - Facilities

- Design
 - In-House Design Facility
 - Team of Mechanical Design and Electrical Design Engineers
 - Working of Solidworks, Catia, Creo and Autocad
- Manufacturing
 - CNC Gas & Plasma Cutting Machine
 - Automatic MIG/MAG Welding Facility
 - Basic Machining Facility available In-house
 - Control Panel Assembly and Testing
- Inspection
- Assembly & Testing

Imensys

Your Partner in Automation

Products



Imensys

Your Partner in Automation

Vertical Storage System



- Suitable for optimizing assembly area by using the vertical space.
- Pallet capacity can be customized based on the requirement.
- PLC controlled system makes the storage and retrieval fast.
- Provision to show and record, live status update of stock data, component position, scheduling, Alerts etc.
- **Capacity upto 5Tons / Pallet**

Imensys

Your Partner in Automation

Stacker Crane and Rack Storage – AS/RS



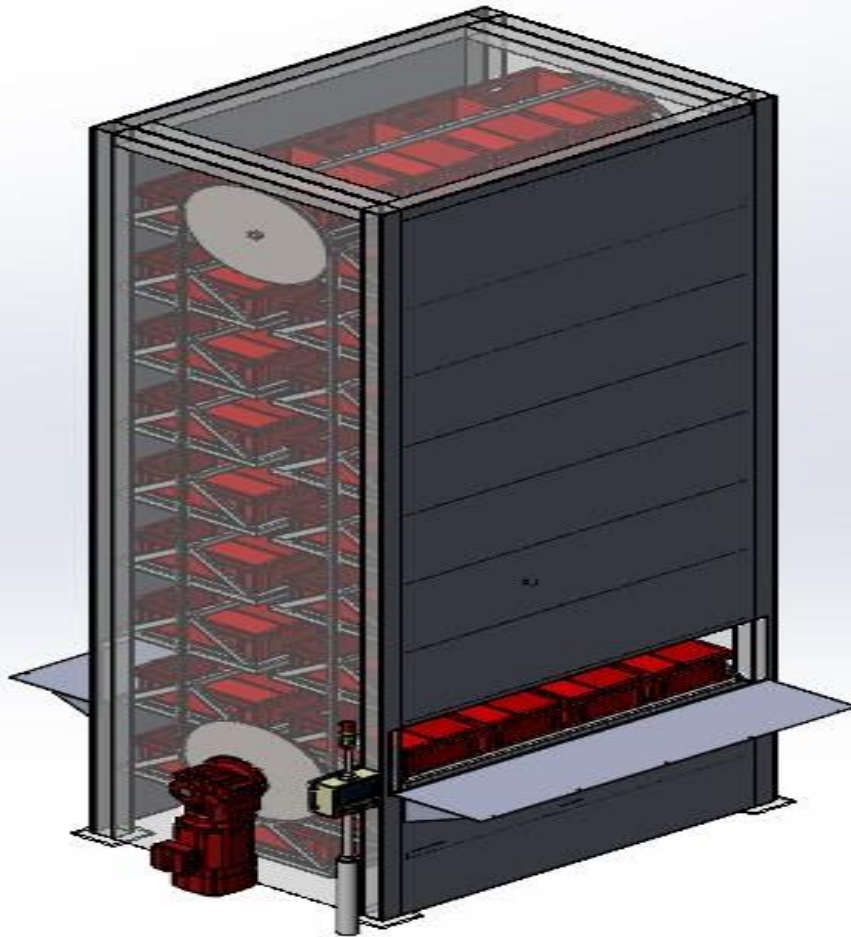
- Auto loading and unloading of parts of parts.
- Stacker crane with X and Z axis movement.
- Wireless Communication between main control panel and stacker crane panel.
- Dynamic allocation of storage space to reduce retrieval time as per production requirement.
- **Capacity – Upto 5 Tons/ Level**

- Customer Site Image – 108 Tools ; Each tool 6m Long.

Imensys

Your Partner in Automation

Vertical Storage Carousels

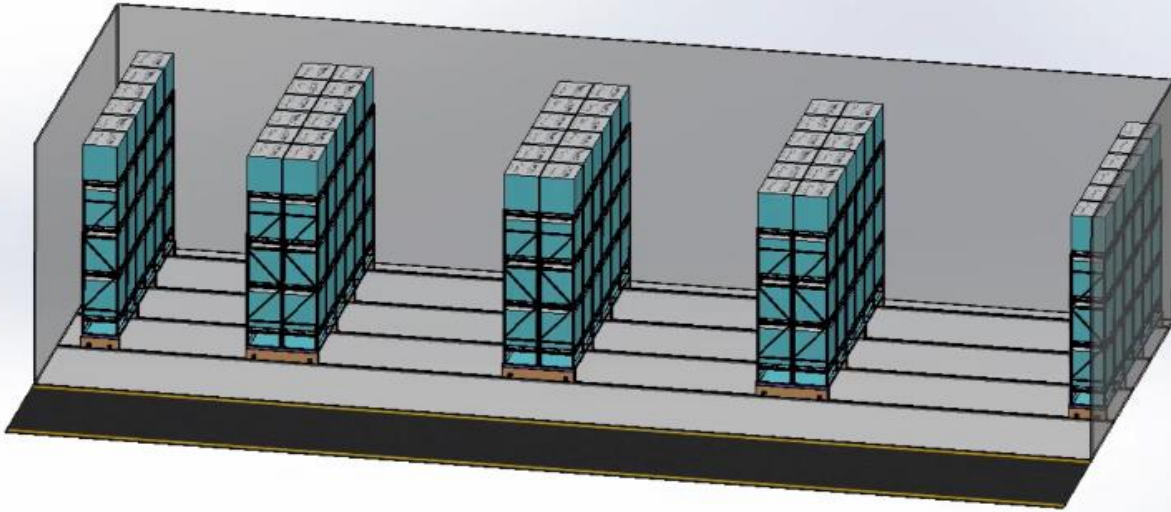


- Vertical Carousels for Light weight component like Bins etc.
- Higher space utilization compared to conventional Storage practices.
- Better inventory control and security with parts/components stored within.
- Additional features like, inventory management, Barcode tagging etc possible.
- Cost effective.

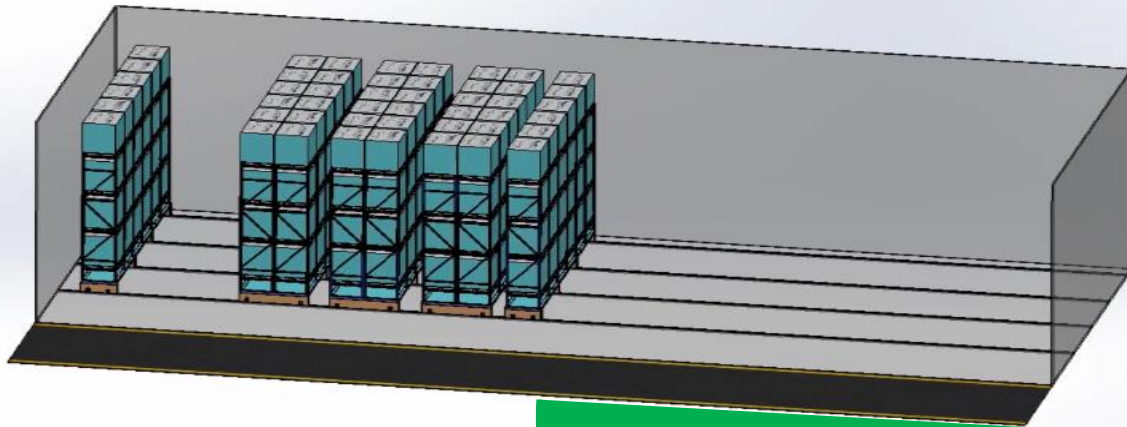
Imensys

Your Partner in Automation

Mobile Racking



Space between racks for Forklift movement - Wastage



Only 1 aisle Required – Same Number of rack within ~50% space

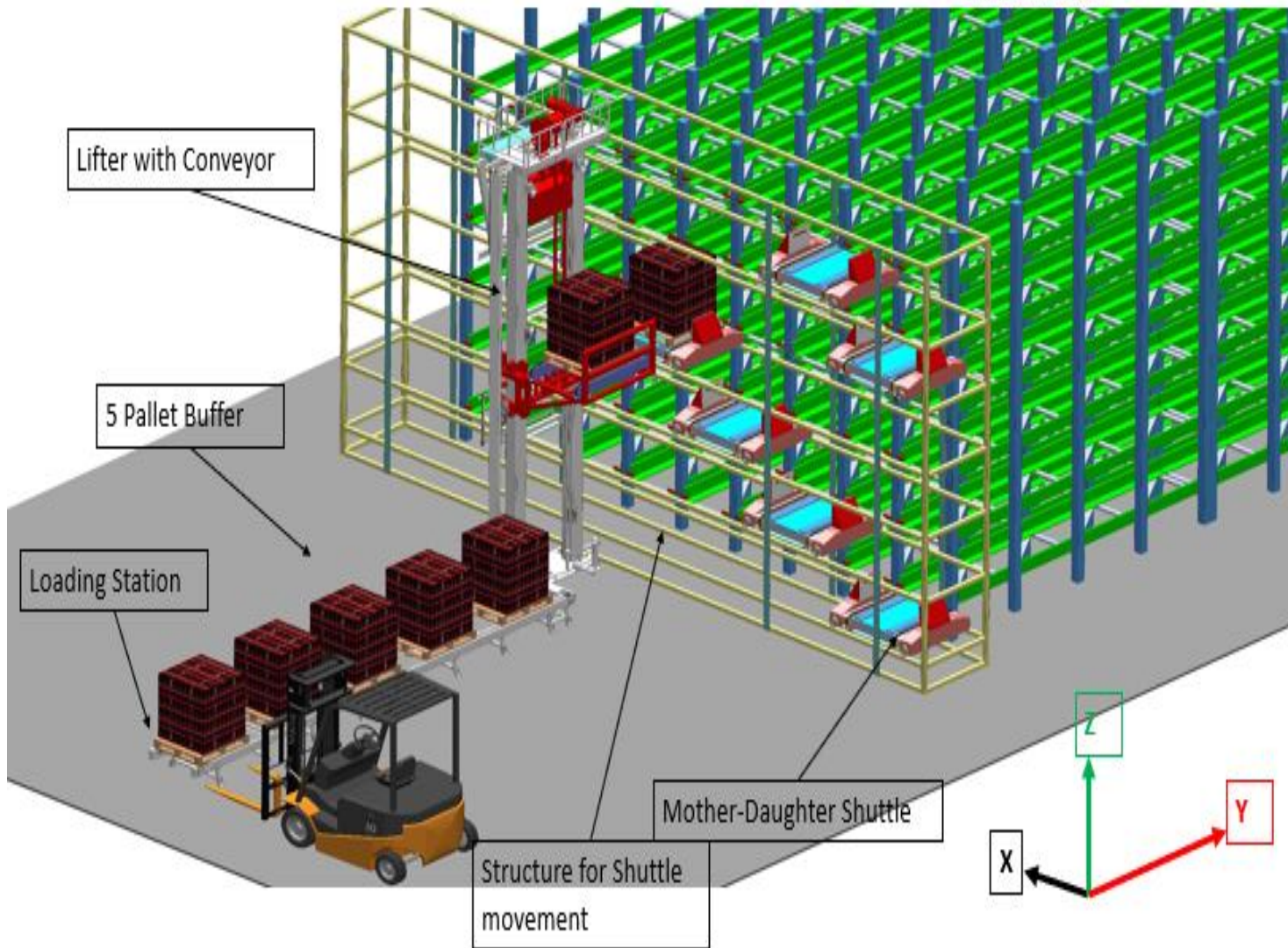
Space saved for increased storage or Value generating Activities

- High space Utilization.
- Only 1 aisle required to access all pallet positions in the racks.
- Existing Racking Can be used and converted into mobile racking.
- Upto 45% increase in Space utilization compared to existing storage.
- Each mobile rack can be designed for upto 200MT.

Imensys

Your Partner in Automation

Shuttle Racking Automation



- Suitable for High Density Racking.
- Mostly used for Palletized Goods.
- Works on FIFO / LIFO basis.
- Capable of handling Throughputs as high as 150PPH with single system.
- Auto-Shuffling feature.
- WCS system included with system.
- Integration with existing SAP/WMS feasible.
- Can be connected to production line for reduced handling.

Imensys

Your Partner in Automation

Custom Built Storage Solution – Alstom – Metro Roof & underframe



- 25m x 10m individual storage area each for Underframe and Roof.
- 2 each of underframe and roof can be stored within the storage area.
- Storage system works on FIFO basis.
- Infeed is manual, outfeed is automatic
- Provision for transfer of Roof and underframe in the storage racks Provided.

Imensys

Your Partner in Automation

Impression Systems & Engineers Pvt. Ltd.

Office:

BR-1, 450/51/52, Jai Ganesh Vision, Akurdi, Pune – 411 035 Maharashtra, India.

Factory:

Gat No. -357/68 /69, Waghjai Nagar, Kharabwadi, Chakan, Pune - 410 501, Maharashtra, India.

Tel : +91- 20 - 48600867

Mobile : +91- 78755 54775

: +91- 7391060112

Website : www.imensys.net

: www.imensyscranes.com

: www.imensysconveyors.com

Email : sales@imensys.net

The logo for Imensys, featuring the word "Imensys" in a stylized, cursive script font.

Your Partner in Automation

Thank You .. !!!

Imensys

Your Partner in Automation