



GREENTECH INDIA
MATERIAL HANDLING



Available
1.5T & 2T

Li-Ion Pallet Truck 1.5T & 2T

- All-rounder for diverse applications
- Platform-based design to maximize competitive advantage in the market
- Cost-saving operations throughout the distribution cycle
- Double battery Backup for More Productivity
- Fast Charging / Opportunity Charging Facility
- Support wheel for More Stability



Heavy-duty



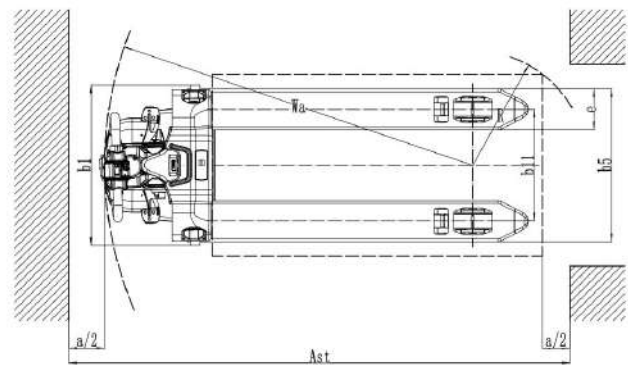
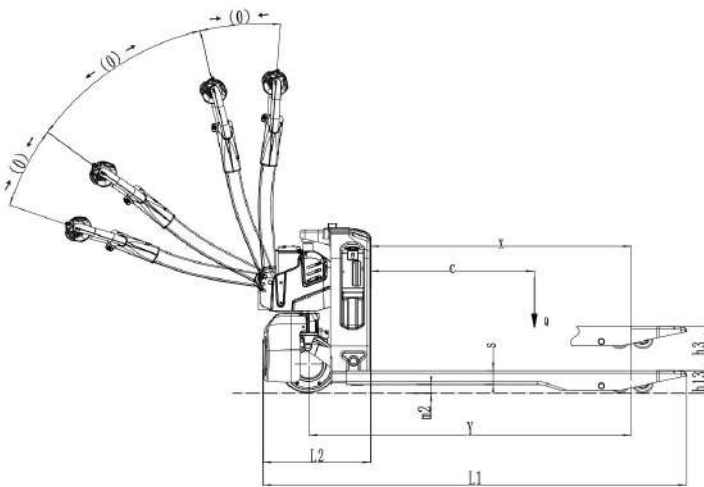
Occasional usage



www.greentechmh.com | www.mhebazsar.in

Specification Sheet - Lithium-ion Pallet Truck - 1500 Kg. and 2000 Kg. Capacity

				Greentech India	Greentech India	
Distinguishing Mark	1.1	Manufacturer				
	1.2	Model designation		F4 15	F4 20	
	1.3	Drive		Electric	Electric	
	1.4	Operator type		Pedestrian	Pedestrian	
	1.5	Load capacity	Q	kg	1500	2000
	1.6	Load center distance	c	mm	600	600
	1.7	Load distance, centre of drive axle to fork	x	mm	950	950
	1.8	Wheelbase	y	mm	1180	1180
Service weight	2.1	Service weight		kg	120	140
	2.2	Axle loading, laden front/rear		kg	480/1140	620/1520
	2.3	Axle loading, unladen front/rear		kg	90/30	100/40
Tyres/Chassis	3.1	Tyre type			Polyurethane	Polyurethane
	3.2	Tyre size, front			210mm×70mm	210mm×70mm
	3.3	Tyre size, rear			Φ 80x60(Φ 74x88)	80mmx60mm
	3.4	Additional wheels (castor wheels)		mm	Φ74x30 optional	74mmx30mm
	3.5	Wheels, number front/rear (x=drive wheels)		mm	1x 2/4 (1x 2/2)	1x, —/4
	3.6	Tread width, front	b ₀	mm	—	—
Dimensions	3.7	Tread width, rear	b ₁	mm	535/410	410 (535)
	4.1	Lift height	h ₁	mm	130	130
	4.2	Height of tiller handle in drive position min./max.	h _{1a}	mm	750/1190	750/1190
	4.3	Lowered height	h _{1a}	mm	82	85
	4.4	Overall length	l ₁	mm	1550	1550
	4.5	Length to face of forks	l ₂	mm	325	400
	4.6	Overall width	b ₁ /b ₂	mm	695/590	695/590
	4.7	Fork dimensions	s ₁ x ₁ xl	mm	55/150/1150	50X150X1150
	4.8	Distance between fork-arms	b ₂	mm	685/560	685/560
	4.9	Ground clearance, center of wheelbase	m ₂	mm	25	30
	4.10	Aisle width for pallets 1000×1200 crossways	A _{st}	mm	2160	2160
	4.11	Aisle width for pallets 800×1200 lengthways	A _{st}	mm	2025	2025
4.12	Turning radius	W _a	mm	1360	1360	
Performance Data	5.1	Travel speed, laden/unladen		km/h	4/4.5	4.5/5
	5.2	Lifting speed, laden/unladen		m/s	0.017/0.020	0.016/0.020
	5.3	Lowering speed, laden/unladen		m/s	0.046/0.058	0.058/0.046
	5.4	Max. gradeability, laden/unladen		%	5/16	8/16
	5.5	Service brake			Electromagnetic	Electromagnetic
Electric Engine & Other Data	6.1	Drive motor rating S2 60 min		kW	0.75	0.9
	6.2	Lift motor rating at S3 15%		kW	0.5	0.7
	6.3	Battery voltage/nominal capacity		V/Ah	24/20	48/20
	6.4	Battery weight		kg	5	10
	6.5	Energy consumption according to DIN EN 16796		kWh/h	-	0.18 ¹⁾
	6.6	Turnover output according to VDI 2198		t/h	-	88
	6.7	Turnover efficiency according to VDI 2198		t/kWh	-	473.12
	6.8	Type of drive control			DC	BLDC
	6.9	Steering design			Mechanical	Mechanical
	6.10	Sound pressure level at the driver's ear		dB(A)	<74	74
	6.11	Charger output current		A	—	—



Please contact us for more detail :

Ulhas Makeswar (Partner) | +91 984 008 8428 | ulhas.makeswar@greentechmh.com
 Manik Thapar (Partner) | +91 928 909 4445 | manik.thapar@greentechmh.com



www.greentechmh.com | www.mhebazar.in